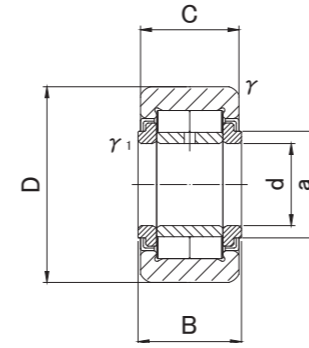


# ROLLER FOLLOWERS

FULL COMPLEMENT DOUBLE ROW  
NON SEPARABLE  
WITH INNER RING



NURT



## NURT TYPE

Prepacked Grease

Shaft Diameter (mm)	Designation		Dimensions (mm)							Basic dynamic load rating	Basic static load rating	Track load capacity		Limiting speed	Mass				
	Crowned outer ring R500(≤NURT17-1) R1000(NURT20≤)	Cylindrical outer ring										Cr N	Cor N			Crowned outer ring N	Cylindrical outer ring N	rpm	g (approx)
	d	D	B	C	a	r's min	r1s min												
15	NURT15R	NURT15X	15 0 -0.008	35	19	18	20		0.6	0.3	23 400	27 200	3 140	11 200	5 200	100			
	NURT15-1R	NURT15-1X		42	19	18	20		0.6	0.3	23 400	27 200	3 930	13 900	5 200	160			
17	NURT17R	NURT17X	17 0 -0.008	40	21	20	22		1	0.5	25 200	30 900	3 720	14 400	4 700	147			
	NURT17-1R	NURT17-1X		47	21	20	22		1	0.5	25 200	30 900	4 550	17 300	4 700	222			
20	NURT20R	NURT20X	20 0 -0.010	47	25	24	27		1	0.5	38 900	48 900	7 150	21 000	3 800	245			
	NURT20-1R	NURT20-1X		52	25	24	27		1	0.5	38 900	48 900	8 230	23 200	3 800	321			
25	NURT25R	NURT25X	25 0 -0.010	52	25	24	31		1	0.5	43 000	58 100	8 230	23 200	3 300	281			
	NURT25-1R	NURT25-1X		62	25	24	31		1	0.5	43 000	58 100	10 500	27 400	3 300	450			
30	NURT30R	NURT30X	30 0 -0.010	62	29	28	38		1	0.5	57 500	74 300	10 500	32 000	2 800	466			
	NURT30-1R	NURT30-1X		72	29	28	38		1	0.5	57 500	74 300	12 900	37 200	2 800	697			
35	NURT35R	NURT35X	35 0 -0.012	72	29	28	44		1.1	0.6	63 300	87 500	12 900	37 200	2 300	630			
	NURT35-1R	NURT35-1X		80	29	28	44		1.1	0.6	63 300	87 500	14 900	41 300	2 300	840			
40	NURT40R	NURT40X	40 0 -0.012	80	32	30	51		1.1	0.6	86 900	124 600	14 900	44 300	1 900	817			
	NURT40-1R	NURT40-1X		90	32	30	51		1.1	0.6	86 900	124 600	17 300	49 800	1 900	1 130			
45	NURT45R	NURT45X	45 0 -0.012	85	32	30	55		1.1	0.6	91 700	137 100	16 100	47 100	1 700	883			
	NURT45-1R	NURT45-1X		100	32	30	55		1.1	0.6	91 700	137 100	19 840	55 400	1 700	1 400			
50	NURT50R	NURT50X	50 0 -0.012	90	32	30	60		1.1	0.6	96 300	149 700	17 300	49 800	1 500	950			
	NURT50-1R	NURT50-1X		110	32	30	60		1.1	0.6	96 300	149 700	22 530	60 900	1 500	1 690			

OUTER RINGS TOLERANCE (Outside diameter) (μm)

TYPE	Crowned outer ring	Cylindrical outer ring
NURT15, NURT15-1, NURT17, NURT17-1, NURT20	0/-50	0/-11
NURT20-1, NURT25, NURT25-1, NURT30, NURT30-1, NURT35, NURT35-1, NURT40	0/-50	0/-13
NURT40-1, NURT45, NURT45-1, NURT50, NURT50-1	0/-50	0/-15